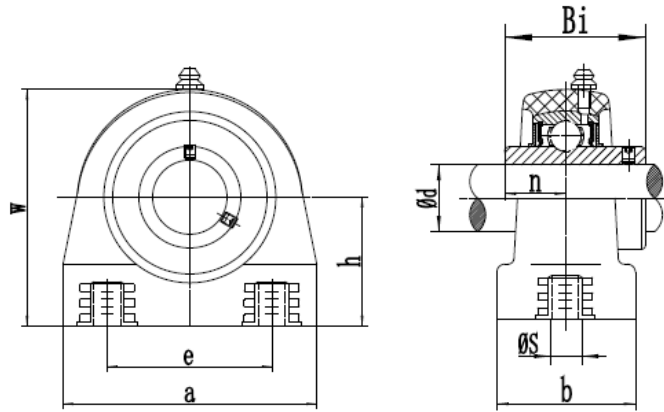


Corrosion Resistant Series
Pillow Block Units
SPUCPA200
d 12~ 60 mm



Unit No.	Shaft Dia: <i>d</i>		Dimension (mm)							Bolt Size	Weight (kg)
	mm	inches	h	a	e	b	w	Bi	n		
SPUCPA201 SPUCPA201-8	12	1/2	33.3	74	50.8	35	66.5	31	12.7	M8	0.13
SPUCPA202 SPUCPA202-9 SPUCPA202-10	15	9/16 5/8	33.3	74	50.8	35	66.5	31	12.7	M8	0.13
SPUCPA203 SPUCPA203-11	17	11/16	33.3	74	50.8	35	66.5	31	12.7	M8	0.13
SPUCPA204 SPUCPA204-12	20	3/4	33.3	74	50.8	35	66.5	31	12.7	M8	0.13
SPUCPA205 SPUCPA205-13 SPUCPA205-14 SPUCPA205-15 SPUCPA205-16	25	13/16 7/8 15/16 1	36.5	76.5	50.8	39.5	74	34.1	14.3	M10	0.15
SPUCPA206 SPUCPA206-17 SPUCPA206-18 SPUCPA206-19 SPUCPA206-20	30	1-1/16 1- 1/8 1-3/16 1-1/4	42.9	102	76.2	42.5	84.5	38.1	15.9	M10	0.24
SPUCPA207 SPUCPA207-20 SPUCPA207-21 SPUCPA207-22 SPUCPA207-23	35	1-1/4 1-5/16 1-3/8 1-7/16	47.6	109.5	82.6	47.5	95	42.9	17.5	M10	0.28
SPUCPA208 SPUCPA208-24 SPUCPA208-25	40	1-1/2 1-9/16	49.2	121	88.9	48	100.5	49.2	19	M12	0.39
SPUCPA209 SPUCPA209-26 SPUCPA209-27 SPUCPA209-28	45	1-5/8 1-11/16 1-3/4	54	124	95.3	50	107	49.2	19	M12	0.47
SPUCPA210 SPUCPA210-29 SPUCPA210-30 SPUCPA210-31 SPUCPA210-32	50	1-13/16 1-7/8 1-15/16 2	57.2	135	101.6	54	115	51.6	19	M16	0.56
SPUCPA211 SPUCPA211-32 SPUCPA211-33 SPUCPA211-34 SPUCPA211-35	55	2 2-1/16 2-1/8 2-3/16	63.5	140	104	66	125	55.6	22.2	M20	0.71
SPUCPA212 SPUCPA212-36 SPUCPA212-37 SPUCPA212-38 SPUCPA212-39	60	2-1/4 2-5/16 2-3/8 2-7/16	69.9	150	114	68	138	65.1	25.4	M20	0.8