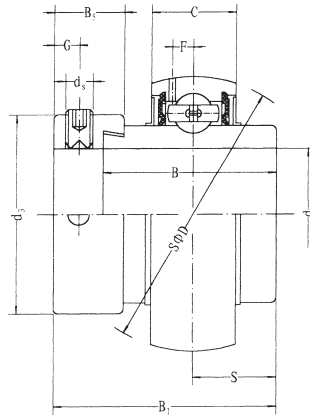


NA 2 (normal-duty)

Ball Bearings
(with eccentric locking collar)



Bearing No.	Dimensions ^{mm} _{inch}											Basic Load Rating (N)		Weight (kg)
	d	D	B ₁	B	C	S	D _s	G	B ₅	d ₃	F	Dynamic	Static	
NA 204	20	47	43.7	34.2	17	17.1	M6 X 1	4.8	13.5	33.3	3.7	9880	6200	0.23
NA 204-12	3/4	1.8504	1.720	1.3465	0.6693	0.673	1/4-28UNF	0.189	0.531	1.311	0.146			0.23
NA 205	25	52	44.4	34.9	17	17.5	M6 X 1	4.8	13.5	38.1	3.9			0.27
NA 205-13	13/16													0.32
NA 205-14	7/8													0.31
NA 205-15	15/16	2.0472	1.748	1.3740	0.6693	0.689	1/4-28UNF	0.189	0.531	1.500	0.154	10780	6980	0.29
NA 205-16	1													0.27
NA 206	30	62	48.4	36.5	19	18.3	M8 X 1	6	15.9	44.5	5.0			0.45
NA 206-17	1-1/16													0.50
NA 206-18	1-1/8	2.4409	1.906	1.4370	0.7480	0.720	5/16-24UNF	0.236	0.626	1.752	0.197	14970	10040	0.47
NA 206-19	1-3/16													0.45
NA 206-20	1-1/4													0.42
NA 207	35	72	51.1	37.6	20	18.8	M8 X 1	6.8	17.5	55.6	5.7			0.60
NA 207-20	1-1/4													0.67
NA 207-21	1-5/16	2.8346	2.012	1.4803	0.7874	0.740	5/16-24UNF	0.268	0.689	2.189	0.224	19750	13670	0.63
NA 207-22	1-3/8													0.60
NA 207-23	1-7/16													0.57
NA 208	40	80	56.3	42.8	21	21.4	M8 X 1	6.8	18.3	60.3	6.2			0.79
NA 208-24	1-1/2	3.1496	2.217	1.6850	0.8268	0.843	5/16-24UNF	0.268	0.720	2.374	0.244	22710	15940	0.84
NA 208-25	1-9/16													0.80
NA 209	45	85	56.3	42.8	22	21.4	M8 X 1	6.8	18.3	63.5	6.4			0.85
NA 209-26	1-5/8													0.96
NA 209-27	1-11/16	3.3465	2.217	1.6850	0.8661	0.843	5/16-24UNF	0.268	0.720	2.5000	0.252	24360	17710	0.91
NA 209-28	1-3/4													0.87
NA 210	50	90	62.7	49.2	24	24.6	M8 X 1	6.8	18.3	69.9	6.5			0.99
NA 210-29	1-13/16													1.14
NA 210-30	1-7/8	3.5433	2.469	1.9370	0.9449	0.969	5/16-24UNF	0.268	0.720	2.752	0.256	26980	19840	1.08
NA 210-31	1-15/16													1.02
NA 210-32	2													0.96
NA 211	55	100	71.4	55.5	25	27.8	M10 X 1	8	20.7	76.2	7.0			1.32
NA 211-32	2													1.52
NA 211-33	2-1/16	3.9370	2.811	2.1850	0.9843	1.094	3/8-24UNF	0.315	0.815	3.000	0.276	33370	25110	1.44
NA 211-34	2-1/8													1.37
NA 211-35	2-3/16													1.29
NA 212	60	110	77.8	61.9	27	31	M10 X 1	8	22.3	84.2	7.6			1.88
NA 212-36	2-1/4													2.04
NA 212-37	2-5/16	4.3307	3.063	2.4370	1.0630	1.220	3/8-24UNF	0.315	0.878	3.315	0.299	36740	27970	1.95
NA 212-38	2-3/8													1.90
NA 212-39	2-7/16													1.77
NA 213	65	120	85.7	68.6	28	34.1	M10 X 1	8.5	23.5	86	8.5			2.41
NA 213-40	2-1/2	4.7244	3.374	2.7008	1.1024	1.343	3/8-24UNF	0.335	0.925	3.386	0.335	44010	34180	2.51
NA 213-41	2-9/16													2.40
NA 214	70	125	85.7	68.6	29	34.1	M10 X 1	8.5	23.5	90	8.9			2.55
NA 214-42	2-3/8													2.79
NA 214-43	2-11/16	4.9213	3.374	2.7008	1.1417	1.343	3/8-24UNF	0.335	0.925	3.543	0.350	46790	37590	2.68
NA 214-44	2-3/4													2.56
NA 215	75	130	92.1	75	30	37.3	M10 X 1	8.5	23.5	102	9.2			2.84
NA 215-45	2-13/16													3.14
NA 215-46	2-7/8	5.1181	3.626	2.9528	1.1811	1.469	3/8-24UNF	0.335	0.925	4.016	0.362	50850	41260	3.01
NA 215-47	2-15/16													2.88
NA 215-48	3													2.74