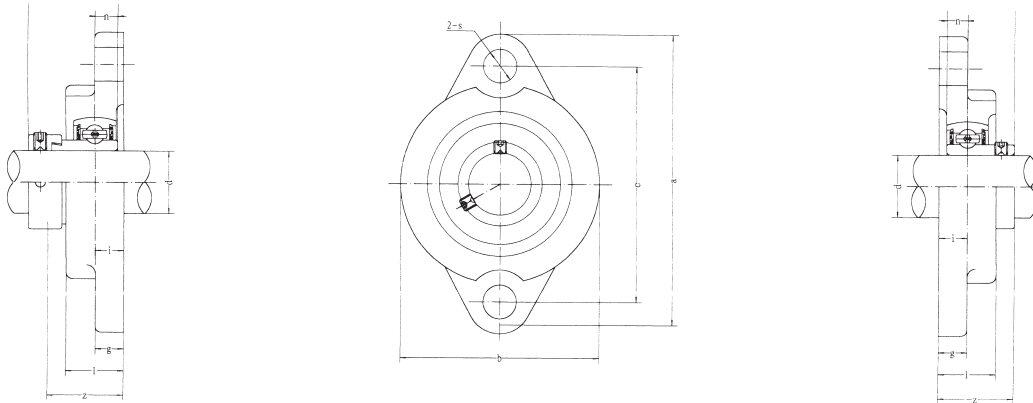


**SALF 2**  
(with SA2 Bearing Insert)

(with SB2 Bearing Insert)

**Flange Units**



Unit No.	Dimensions mm inch								Bearing Size mm inch	SALF					SALF					Housing No.
	d	a	e	b	i	s	g	l		z	B <sub>1</sub>	n	Bearing No.	Weight (kg)	z	B	n	Bearing no.	Weight (kg)	
SALF 201	12	81	63.5	56	9.5	8	9.5	18	M6	31.6	28.6	6.5	SA 201		25.5	22	6	SB 201	0.3	LF203
SBLF 201-8	3/4											SA 201-8					SB 201-8			
202	15											SA 202					SB 202			
202-9	9/16	3-3/16	2-1/2	2-13/64	3/8	5/16	3/8	45/64	1/4	1-1/4	1.1260	0.2559	SA 202-9	0.3	1	0.8661	0.2362	SB 202-9		
202-10	5/8											SA 202-10					SB 202-10			
203	17											SA 203					SB 203			
203-11	11/16											SA 203-11					SB 203-11			
SALF 204	20	90	71.5	61	11	10	11	20	M8	34.5	31	7.5	SA 204		29	25	7	SB 204	0.3	LF204
SBLF 204-12	3/4	3-35/64	2-13/16	2-13/32	7/16	25/64	7/16	25/32	5/16	1-23/64	1.2204	0.2953	SA 204-12	0.4	1-9/64	0.9843	0.2756	SB 204-12		
SALF 205	25	95	76	64	11	10	11	20	M8	34.5	31	7.5	SA 205		30.5	27	7.5	SB 205	0.4	LF205
SBLF 205-13	13/16											SA 205-13					SB 205-13			
205-14	7/8	3-3/4	2-63/64	2-33/64	7/16	25/64	7/16	25/32	5/16	1-23/64	1.2204	0.2953	SA 205-14	0.5	1-13/64	1.0630	0.2953	SB 205-14		
205-15	15/16											SA 205-15					SB 205-15			
205-16	1											SA 205-16					SB 205-16			
SALF 206	30	113	90.5	76	12	12	12	22.5	M10	38.7	35.7	9	SA 206		34	30	8	SB 206	0.6	LF206
SBLF 206-17	1-1/16											SA 206-17					SB 206-17			
206-18	1-1/8	4-7/16	3-9/16	3	15/32	15/32	15/32	57/64	3/8	1-33/64	1.4055	0.3543	SA 206-18	0.7	1-11/32	1.1811	0.3150	SB 206-18		
206-19	1-3/16											SA 206-19					SB 206-19			
206-20	1-1/4											SA 206-20					SB 206-20			
SALF 207	35	122	100	89	13	12	13	24	M10	42.4	38.9	9.5	SA 207		36.5	32	8.5	SB 207	0.8	LF207
SBLF 207-20	1-1/4											SA 207-20					SB 207-20			
207-21	1-5/16	4-13/16	3-15/16	3-1/2	33/64	15/32	33/64	61/64	3/8	1-43/64	1.5315	0.3740	SA 207-21	0.9	1-7/16	1.2598	0.3346	SB 207-21		
207-22	1-3/8											SA 207-22					SB 207-22			
207-23	1-7/16											SA 207-23					SB 207-23			