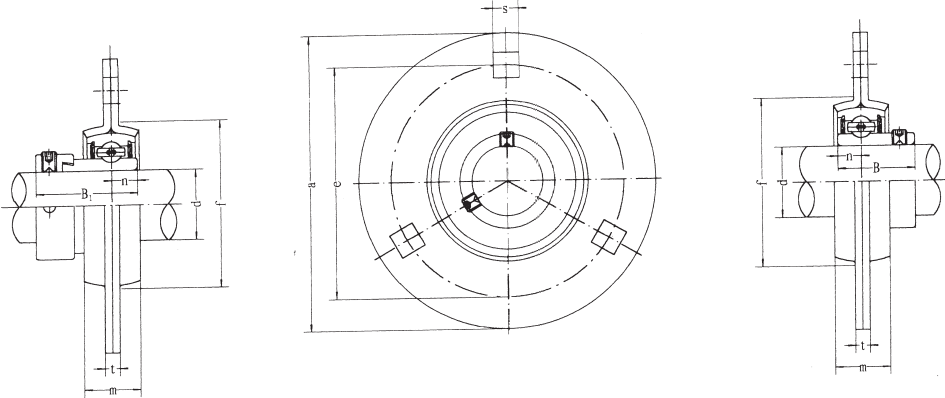


**SAPF 2**  
(with SA2 Bearing Insert)

**SBPF 2**  
(with SB2 Bearing Insert)

Pressed Housing Flange units  
(Light-duty)



Unit No.	Dimensions <sup>mm</sup> / <sub>inch</sub>							Bolt Used <sup>mm</sup> / <sub>inch</sub>	SAPP			SBPP				Housing No.	
	d	a	e	m	s	t	f		B <sub>1</sub>	n	Bearing No.	Weight (kg)	B <sub>1</sub>	n	Bearing no.		Weight (kg)
SAPF 201	12	81	63.5	14	7.1	4	49	M6	28.6	6.5	SA 201		22	6	SB 201		
SBPF 201-8	3/4										SA 201-8				SB 201-8		
202	15										SA 202				SB 202		
202-9	9/16	3-3/16	2-1/2	9/16	9/32	0.157	1-59/64	1/4	1.1260	0.2559	SA 202-9	0.3	0.8661	0.2362	SB 202-9	0.27	PFL203
202-10	5/8										SA 202-10				SB 202-10		
203	17										SA 203				SB 203		
203-11	11/16										SA 203-11				SB 203-11		
SAPF 204	20	90	71.5	16	9	4	56	M8	31	7.5	SA 204	0.33	25	7	SB 204	0.33	PF204
SBPF 204-12	3/4	3-35/64	2-13/16	5/8	23/64	0.157	2-13/64	5/16	1.2204	0.2953	SA 204-12		0.9843	0.2756	SB 204-12		
SAPF 205	25	95	76	18	9	4	60	M8	31	7.5	SA 205		27	7.5	SB 205		
SBPF 205-13	13/16										SA 205-13				SB 205-13		
205-14	7/8	3-3/4	2-63/64	23/32	23/64	0.157	2-23/64	5/16	1.2204	0.2953	SA 205-14	0.42	1.0630	0.2953	SB 205-14	0.38	PF205
205-15	15/16										SA 205-15				SB 205-15		
205-16	1										SA 205-16				SB 205-16		
SAPF 206	30	113	90.5	18	11	5.2	71	M10	35.7	9	SA 206		30	8	SB 206		
SBPF 206-17	1-1/16										SA 206-17				SB 206-17		
206-18	1-1/8	4-7/16	3-9/16	23/32	7/16	0.205	2-51/64	3/8	1.4055	0.3543	SA 206-18	0.65	1.1811	0.3150	SB 206-18	0.62	PF206
206-19	1-3/16										SA 206-19				SB 206-19		
206-20	1-1/4										SA 206-20				SB 206-20		
SAPF 207	35	122	100	20	11	5.2	81	M10	38.9	9.5	SA 207		32	8.5	SB 207		
SBPF 207-20	1-1/4										SA 207-20				SB 207-20		
207-21	1-5/16	4-13/16	3-15/16	25/32	7/16	0.205	3-3/16	3/8	1.5315	0.3740	SA 207-21	0.9	1.2598	0.3346	SB 207-21	0.82	PF207
207-22	1-3/8										SA 207-22				SB 207-22		
207-23	1-7/16										SA 207-23				SB 207-23		
SAPF 208	40	148	119	21	13.5	6.8	91	M12	43.7	11	SA 208		34	9	SB 208		
SBPF 208-24	1-1/2	5-13/16	4-11/16	13/16	17/32	0.268	3-37/64	1/2	1.7205	0.4331	SA 208-24	1.15	1.3386	0.3543	SB 208-24	1.1	PF208 <sup>1</sup>
208-25	1-9/16										SA 208-25				SB 208-25		

<sup>1</sup>) PF208, with 4 Bolts