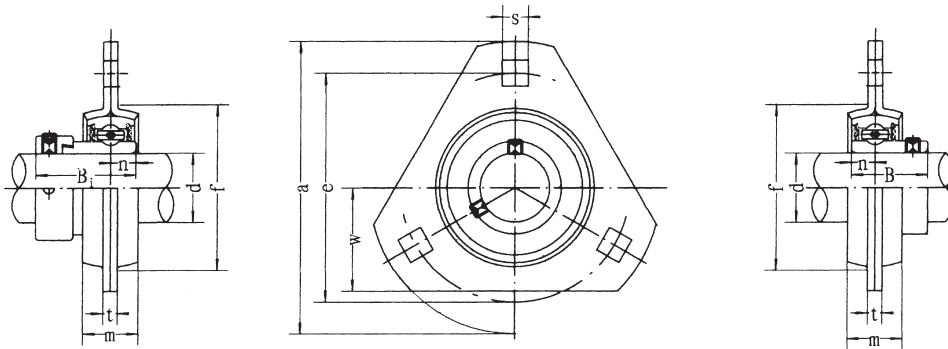


**SAPFT2**  
(with SA2 Bearing Insert)

**SBPFT2**  
(with SB2 Bearing Insert)

Pressed Housing Flange Units  
(Light-duty)



Unit No.	Dimensions mm inch								Bolt Used mm inch	SAPFT			SBPFT				Housing No.
	d	a	e	w	m	s	t	f (mm)		B <sub>1</sub>	n	Bearing No.	Weight (kg)	B	n	Bearing no.	
SAPFT SBPFT 201	12	81	63.5	28.5	14	7.1	4	49	M6	28.6	6.5	SA 201		22	6	SB 201	
201-8	3/4											SA 201-8				SB 201-8	
202	15											SA 202				SB 202	
202-9	9/16	3-3/16	2-1/2	1-1/8	9/16	9/32	0.157	1-59/64	1/4	1.1260	0.2559	SA 202-9	0.26	0.8661	0.2362	SB 202-9	0.23
202-10	5/8											SA 202-10				SB 202-10	
203	17											SA 203				SB 203	
203-11	11/16											SA 203-11				SB 203-11	
SAPFT SBPFT 204	20	90	71.5	33	16	9	4	56	M8	31	7.5	SA 204		25	7	SB 204	
204-12	3/4	3-35/64	2-13/16	1-19/64	5/8	23/64	0.157	2-13/64	5/16	1.2204	0.2953	SA 204-12	0.28	0.9843	0.2756	SB 204-12	0.28
SBPFL SBPFL 205	25	95	76	35	18	9	4	60	M8	31	7.5	SA 205		27	7.5	SB 205	
205-13	13/16											SA 205-13				SB 205-13	
205-14	7/8	3-3/4	2-63/64	1-3/8	23/32	23/64	0.157	2-23/64	5/16	1.2204	0.2953	SA 205-14	0.36	1.0630	0.2953	SB 205-14	0.36
205-15	15/16											SA 205-15				SB 205-15	
205-16	1											SA 205-16				SB 205-16	
SAPFT SBPFT 206	30	113	90.5	40	18	11	5.2	71	M10	35.7	9	SA 206		30	8	SB 206	
206-17	1-1/16											SA 206-17				SB 206-17	
206-18	1-1/8	4-7/16	3-9/16	1-37/64	23/32	7/16	0.205	2-51/64	3/8	1.4055	0.3543	SA 206-18	0.58	1.1811	0.3150	SB 206-18	0.55
206-19	1-3/16											SA 206-19				SB 206-19	
206-20	1-1/4											SA 206-20				SB 206-20	
SAPFT SBPFT 207	35	122	100	44.5	20	11	5.2	81	M10	38.9	9.5	SA 207		32	8.5	SB 207	
207-20	1-1/4											SA 207-20				SB 207-20	
207-21	1-5/16	4-13/16	3-15/16	1-3/4	25/32	7/16	0.205	3-3/16	3/8	1.5315	0.3740	SA 207-21	0.82	1.2598	0.3346	SB 207-21	0.74
207-22	1-3/8											SA 207-22				SB 207-22	
207-23	1-7/16											SA 207-23				SB 207-23	