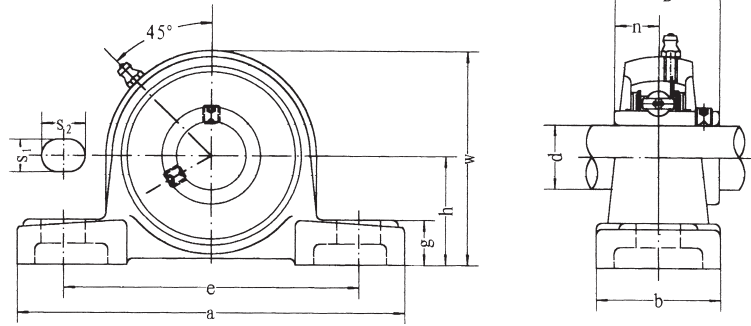


UCP 3 (heavy-duty)



Unit No.	Dimensions <small>mm inch</small>											Bolt Size <small>mm inch</small>	Bearing No.	Housing No.	Weight (kg)
	d	h	a	e	b	S <sub>1</sub>	S <sub>2</sub>	g	w	B	n				
UCP 305	25	45	175	132	45	17	20	15	85	38	38	M14	UC 305 UC 305-13 UC 305-14 UC 305-15 UC 305-16	P305	1.4
UCP 305-13	13/16	1-49/64	6-7/8	5-3/16	1-25/32	43/64	25/32	19/32	3-11/32	1.4961	0.591	1/2			
UCP 305-14	7/8														
UCP 305-15	15/16														
UCP 305-16	1														
UCP 306	30	50	180	140	50	17	20	18	95	43	17	M14	UC 306 UC 306-17 UC 306-18 UC 306-19	P306	1.8
UCP 306-17	1-1/16														
UCP 306-18	1-1/8	1-31/32	7-3/32	5-1/2	1-31/32	43/64	25/32	23/32	3-3/4	1.6929	0.669	1/2			
UCP 306-19	1-3/16														
UCP 307	35	56	210	160	56	17	25	20	106	48	19	M14	UC 307 UC 307-20 UC 307-21 UC 307-22 UC 307-23	P307	2.8
UCP 307-20	1-1/4														
UCP 307-21	1-5/16														
UCP 307-22	1-3/8	1-13/64	8-9/32	6-5/16	2-13/64	43/64	31/32	25/32	4-3/16	1.8898	1.748	1/2			
UCP 307-23	1-7/16														
UCP 308	40	60	220	170	60	17	27	22	116	52	19	M14	UC 308 UC 308-24 UC 308-25	P308	3.0
UCP 308-24	1-1/2	2-23/64	8-21/32	6-11/16	2-3/8	43/64	1-11/16	7/8	4-9/16	2.0472	0.748	1/2			
UCP 308-25	1-9/16														
UCP 309	45	67	245	190	67	20	30	24	129	57	22	M16	UC 309 UC 309-26 UC 309-27 UC 309-28	P309	4.1
UCP 309-26	1-5/8														
UCP 309-27	1-11/16	2-41/64	9-21/32	7-15/32	2-5/8	25/32	1-3/16	15/16	5-3/32	2.2441	0.866	5/8			
UCP 309-28	1-3/4														
UCP 310	50	75	275	212	75	20	35	27	143	61	22	M16	UC 310 UC 310-29 UC 310-30 UC 310-31	P310	5.8
UCP 310-29	1-13/16														
UCP 310-30	1-7/8	2-61/64	10-13/16	8-11/32	2-15/16	25/32	1-3/8	1-1/16	5-5/8	2.4016	0.866	5/8			
UCP 310-31	1-15/16														
UCP 311	55	80	310	236	80	20	38	30	154	66	25	M16	UC 311 UC 311-32 UC 311-33 UC 311-34 UC 311-35	P311	7.4
UCP 311-32	2														
UCP 311-33	2-1/16														
UCP 311-34	2-1/8	3-5/32	12-7/32	9-9/32	3-5/32	25/32	1-1/2	1-9/16	6-1/16	2.5984	0.984	5/8			
UCP 311-35	2-3/16														
UCP 312	60	85	330	250	85	25	38	32	165	71	26	M20	UC 312 UC 312-36 UC 312-37 UC 312-38 UC 312-39	P312	9.4
UCP 312-36	2-1/4														
UCP 312-37	2-5/16														
UCP 312-38	2-3/8	3-11/32	13	9-17/32	3-11/32	31/32	1-1/2	1-1/4	6-1/2	2.7953	1.024	3/4			
UCP 312-39	2-7/16														
UCP 313	65	90	340	260	90	25	38	33	176	75	30	M20	UC 313 UC 313-40 UC 313-41	P313	10
UCP 313-40	2-1/2	3-35/64	13-3/8	10-1/4	3-17/32	31/32	1-1/2	1-5/16	6-15/16	2.9528	1.181	3/4			
UCP 313-41	2-9/16														
UCP 314	70	95	360	280	90	27	40	35	187	78	33	M22	UC 314 UC 314-42 UC 314-43 UC 314-44	P314	12
UCP 314-42	2-5/8														
UCP 314-43	2-11/16	3-47/64	14-3/16	11-1/32	3-17/32	1-1/16	1-9/16	1-3/8	7-3/8	3.0708	1.299	7/8			
UCP 314-44	2-3/4														
UCP 315	75	100	380	290	100	27	40	35	198	82	32	M22	UC 315 UC 315-45 UC 315-46 UC 315-47 UC 315-48	P315	14
UCP 315-45	2-13/16														
UCP 315-46	2-7/8														
UCP 315-47	2-15/16	3-15/16	14-31/32	11-13/32	3-15/16	1-1/16	1-9/16	1-3/8	7-25/32	3.2283	1.250	7/8			
UCP 315-48	3														
UCP 316	80	106	400	300	110	27	40	40	210	86	34	M22	UC 316 UC 316-49 UC 316-50 UC 316-51	P316	18
UCP 316-49	3-1/16														
UCP 316-50	3-1/8	4-11/64	15-3/4	11-13/16	4-11/32	1-1/16	1-9/16	1-9/16	8-9/32	3.3858	1.339	7/8			
UCP 316-51	3-3/16														
UCP 317	85	112	420	320	110	33	45	40	220	96	40	M27	UC 317 UC 317-52 UC 317-53 UC 317-55	P317	20
UCP 317-52	3-1/4														
UCP 317-53	3-5/16	4-13/32	16-17/32	12-19/32	4-11/32	1-5/16	1-25/32	1-9/16	8-21/32	3.7795	1.575	1			
UCP 317-55	3-7/16														
UCP 318	90	118	430	330	110	33	45	45	235	96	40	M27	UC 318 UC 318-55 UC 318-56	P318	24
UCP 318-55	3-7/16	4-41/64	16-15/16	13	4-11/32	1-5/16	1-25/32	1-25/32	9-1/4	3.7795	1.575	1			
UCP 318-56	3-1/2														
UCP 319	95	125	470	360	120	36	50	45	250	103	41	M30	UC 319 UC 319-58 UC 319-59 UC 319-60	P319	29
UCP 319-58	3-5/8														
UCP 319-59	3-11/16	4-59/64	18-1/2	14-3/16	4-23/32	1-13/32	1-31/32	1-25/32	9-27/32	4.0551	1.614	1-1/8			
UCP 319-60	3-3/4														
UCP 320	100	140	490	380	120	36	50	46	273	108	42	M30	UC 320 UC 320-64	P320	35.1
UCP 320-64	4	5-29/32	19-9/32	14-31/32	4-23/32	1-13/32	1-31/32	1-13/16	10-3/4	4-1/4	1-21/32	1-1/8			