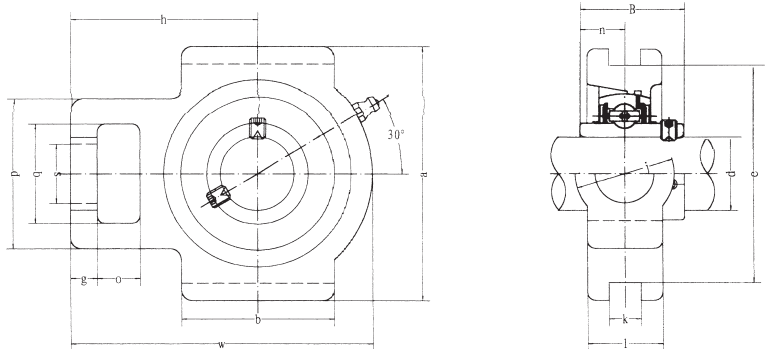


Take-up Units

UCTX (medium-duty)



Unit No.	Dimensions ^{mm} _{inch}																Bearing No.	Housing No.	Weight (kg)
	d	O	g	p	q	s	b	k	e	a	w	j	i	h	B ₁	n			
UCT X05	25	16	12	56	37	22	57	12	89	102	113	28	37	70	38.1	15.9	UC X05	TX05	1.4
UCT X05-13	13/16																UC X05-13		
UCT X05-14	7/8	5/8	15/32	2-7/32	1-15/32	55/64	2-1/4	0.472	3-1/2	4-1/64	4-29/64	1-3/32	1-29/64	2-3/4	1.5000	0.626	UC X05-14		
UCT X05-15	15/16																UC X05-15		
UCT X05-16	1																UC X05-16		
UCT X06	30	16	15	64	37	22	64	12	89	102	129	30	37	78	42.9	17.5	UC X06	TX06	1.8
UCT X06-17	1-1/16																UC X06-17		
UCT X06-18	1-1/8	5/8	19/32	2-33/64	1-29/64	55/64	2-33/64	0.472	3-1/2	4-1/64	5-5/64	1-3/16	1-29/64	3-5/64	1.6890	0.689	UC X06-18		
UCT X06-19	1-3/16																UC X06-19		
UCT X06-20	1-1/4																UC X06-20		
UCT X07	35	19	17	83	49	29	83	16	102	114	144	36	49	88	49.2	19	UC X07	TX07	2.6
UCT X07-21	1-5/16																UC X07-21		
UCT X07-22	1-3/8	3/4	21/32	3-17/64	1-15/16	1-9/64	3-17/64	0.630	4-1/64	4-31/64	5-43/64	1-13/32	1-15/16	3-15/32	1.9370	0.748	UC X07-22		
UCT X07-23	1-7/16																UC X07-23		
UCT X08	40	19	17	83	49	29	83	16	102	117	144	36	49	87	49.2	19	UC X08		
UCT X08-24	1-1/2	3/4	21/32	3-17/64	1-15/16	1-9/64	3-17/64	0.630	4-1/64	4-39/64	5-43/64	1-13/32	1-15/16	3-27/64	1.9370	0.748	UC X08-24		
UCT X08-25	1-9/16																UC X08-25		
UCT X09	45	19	18	83	49	29	86	16	102	117	151	38	49	92	51.6	19	UC X09	TX09	2.8
UCT X09-26	1-5/8																UC X09-26		
UCT X09-27	1-11/16	3/4	23/32	3-17/64	1-15/16	1-9/64	3-25/64	0.630	4-1/64	4-39/64	5-15/16	1-1/2	1-15/16	3-5/8	2.0315	0.748	UC X09-27		
UCT X09-28	1-3/4																UC X09-28		
UCT X09-29	1-13/16																UC X09-29		
UCT X10	50	25	21	102	64	35	95	22	130	146	171	42	64	106	55.6	22.2	UC X10	TX10	4.3
UCT X10-30	1-7/8																UC X10-30		
UCT X10-31	1-15/16	63/64	13/16	4-1/64	2-1/32	1-3/8	3-3/4	0.866	5-1/8	5-3/4	6-47/64	1-21/32	2-33/64	4-11/64	2.1890	0.874	UC X10-31		
UCT X10-32	2																UC X10-32		
UCT X11	55	32	21	102	64	35	102	22	130	146	194	44	64	119	65.1	25.4	UC X11	TX11	5.2
UCT X11-33	2-1/16																UC X11-33		
UCT X11-34	2-1/8																UC X11-34		
UCT X11-35	2-3/16	1-17/64	13/16	4-1/64	2-1/32	1-3/8	4-1/64	0.866	5-1/8	5-3/4	7-41/64	1-23/32	2-33/64	4-11/16	2.5630	1.000	UC X11-35		
UCT X11-36	2-1/4																UC X11-36		
UCT X11-37	2-5/16																UC X11-37		
UCT X12	60	32	23	111	70	41	121	26	151	167	224	48	70	137	65.1	25.4	UC X12		
UCT X12-38	2-3/8	1-17/64	29/32	4-3/8	2-3/4	1-39/64	4-49/64	1.024	5-15/16	6-37/64	8-13/16	1-57/64	2-3/4	5-25/64	2.5630	1.000	UC X12-38		
UCT X12-39	2-7/16																UC X12-39		
UCT X13	65	32	23	111	70	41	121	26	151	167	224	48	70	137	74.6	30.2	UC X13	TX13	7.6
UCT X13-40	2-1/2	1-17/64	29/32	4-3/8	2-3/4	1-39/64	4-49/64	1.024	5-15/16	6-37/64	8-13/16	1-57/64	2-3/4	5-25/64	2.9370	1.189	UC X13-40		
UCT X13-41	2-9/16																UC X13-41		
UCT X14	70	32	23	111	70	41	121	26	151	167	232	48	70	140	77.8	33.3	UC X14	TX14	7.7
UCT X14-42	2-5/8																UC X14-42		
UCT X14-43	2-11/16	1-17/64	29/32	4-3/8	2-3/4	1-39/64	4-49/64	1.024	5-15/16	6-37/64	9-9/64	1-57/64	2-3/4	5-33/64	3.0630	1.311	UC X14-43		
UCT X14-44	2-3/4																UC X14-44		
UCT X15	75	32	23	111	70	41	121	28	165	184	235	48	70	140	82.6	33.3	UC X15	TX15	7.55
UCT X15-45	2-13/16																UC X15-45		
UCT X15-46	2-7/8	1-17/64	29/32	4-3/8	2-3/4	1-39/64	4-49/64	1.102	6-1/2	7-1/4	9-1/4	1-57/64	2-3/4	5-33/64	3.2520	1.311	UC X15-46		
UCT X15-47	2-15/16																UC X15-47		
UCT X15-48	3																UC X15-48		
UCT X16	80	38	30	124	73	48	157	28	173	198	260	54	73	162	85.7	34.1	UC X16	TX16	11
UCT X16-49	3-1/16																UC X16-49		
UCT X16-50	3-1/8	1-1/2	1-3/16	4-7/8	2-7/8	1-57/64	6-3/16	1.102	6-13/16	7-51/64	10-15/64	2-1/8	2-7/8	6-3/8	3.3740	1.343	UC X16-50		
UCT X16-51	3-1/16																UC X16-51		
UCT X16-52	3-1/4																UC X16-52		
UCT X17	85	38	30	124	73	48	157	28	173	198	560	54	73	162	96	39.7	UC X17	TX17	12
UCT X17-53	3-5/16	1-1/2	1-3/16	4-7/8	2-7/8	1-57/64	6-3/16	1.102	6-13/16	7-51/64	10-15/64	2-1/8	2-7/8	6-3/8	3.7795	1.5630	UC X17-53		
UCT X17-55	3-7/16																UC X17-55		